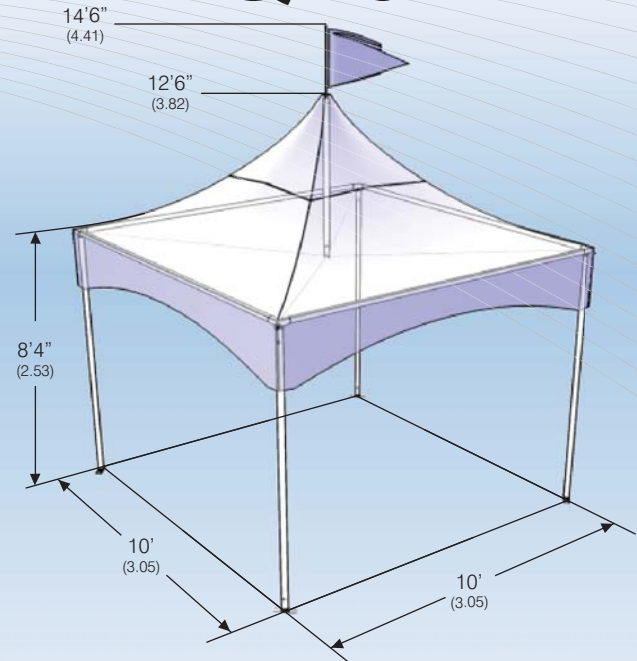


Tents for your Events

PEAK MARQUEE TENTS

MQ10H



TOTAL AREA: 100 sq. ft. / 9.3 sq. m.

EASY ASSEMBLY AND SETUP

The Peak Marquee Tents require very little manpower to setup or take down. Comprehensive, easy to follow instructions are sent with each tent.





**PEAK MARQUEE TENT
FEATURES**

EASY SETUP

This tent can be set up easily by 2 people.

TOUGH

Smooth graceful roof lines conceal a rental tough, durable, simple frame.

INTERCHANGEABLE PARTS

Through nine sizes from 100 to 1043 sq.ft. streamlining rental inventory.

FULL MODULARITY

Unique gutter system allows the tents to be joined in a variety of configurations.

POLE FREE INTERIOR

Flying Centre Pole gives an obstruction free spacious interior.

WALLS SLIDE OPEN AND CLOSED

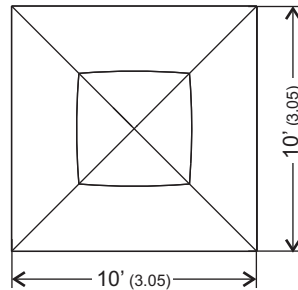
Walls remain clean, with less wear and tear.

**The WSSL
PEAK MARQUEE TENTS**

*Elegant,
Dramatic,
Beautiful,*

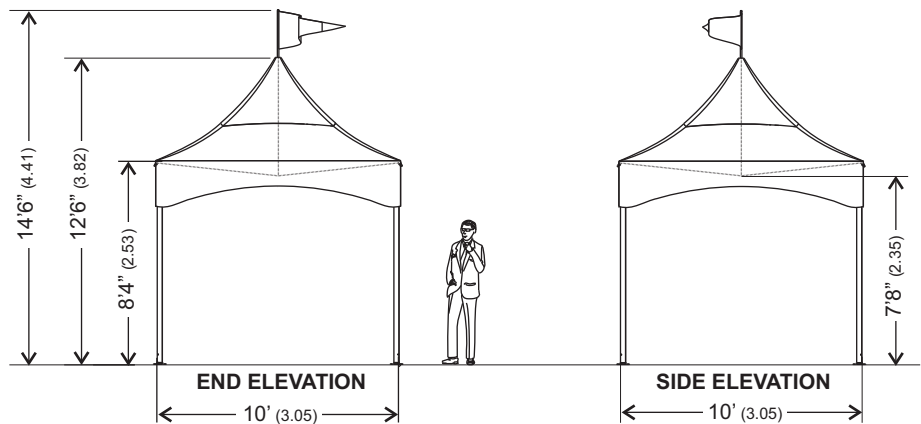
STRONG & STABLE

Scan the QR code with your smartphone



PLAN VIEW

MQ10H



OTHER PEAK MARQUEE TENTS & LAYOUT SUGGESTIONS



Peak Marquee tents can be joined together to form creative configurations, such as "L"-shapes, "U"-shapes, "T"-shapes or squares. Use your imagination.

