

Tents for your Events

PEAK MARQUEE TENTS

MQ15

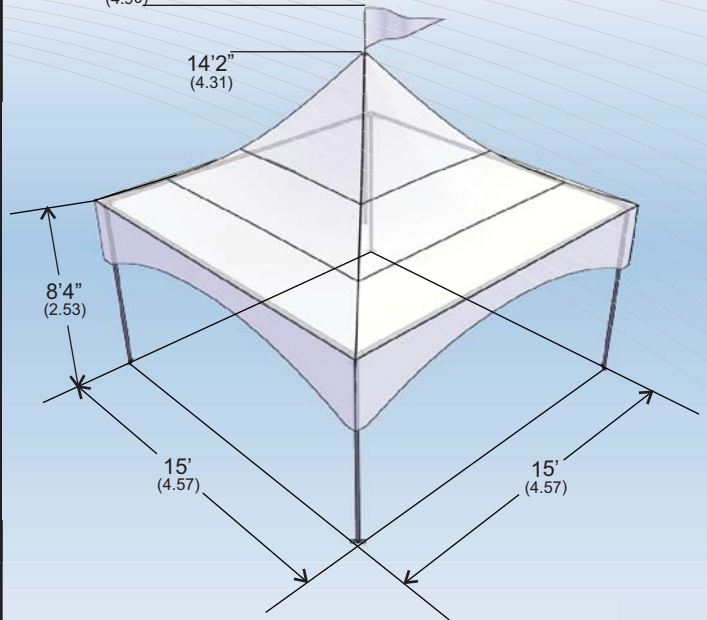
16'1"
(4.90)

14'2"
(4.31)

8'4"
(2.53)

15'
(4.57)

15'
(4.57)



TOTAL AREA: 225 sq. ft. / 20.9 sq. m.

EASY ASSEMBLY AND SETUP

The Peak Marquee Tents require very little manpower to setup or take down. Comprehensive, easy to follow instructions are sent with each tent.





PEAK MARQUEE TENT FEATURES

EASY SETUP

This tent can be set up easily by 2 people.

TOUGH

Smooth graceful roof lines conceal a rental tough, durable, simple frame.

INTERCHANGEABLE PARTS

Through nine sizes from 100 to 1043 sq.ft. streamlining rental inventory.

FULL MODULARITY

Unique gutter system allows the tents to be joined in a variety of configurations.

POLE FREE INTERIOR

Flying Centre Pole gives an obstruction free spacious interior.

WALLS SLIDE OPEN AND CLOSED

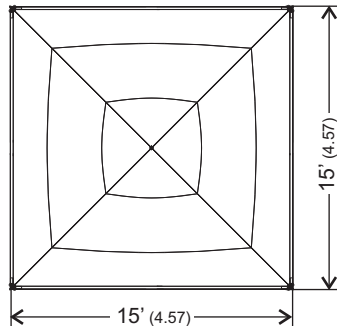
Walls remain clean, with less wear and tear.

The WSSL PEAK MARQUEE TENTS

*Elegant,
Dramatic,
Beautiful,*

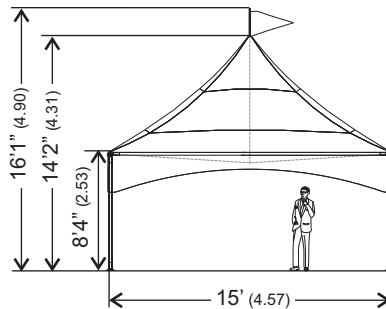
STRONG & STABLE

Scan the QR code with your smartphone

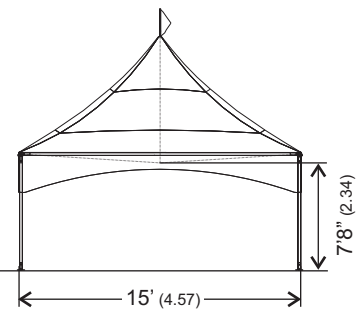


PLAN VIEW

MQ15



END ELEVATION



SIDE ELEVATION

OTHER PEAK MARQUEE TENTS & LAYOUT SUGGESTIONS

										
MQ10H	MQ1015	MQ15	MQ1020	MQ1520	MQ20H	MQ2030T	MQ2040T	MQ30	MQ17HEX	MQ34HEX
10' X 10'	10' X 15'	15' X 15'	10' X 20'	15' X 20'	20' X 20'	20' X 30'	20' X 40'	30' X 30'	17' CROSS FLAT 20' POINT/POINT	35' CROSS FLAT 40' POINT/POINT

Peak Marquee tents can be joined together to form creative configurations, such as "L"-shapes, "U"-shapes, "T"-shapes or squares. Use your imagination.

