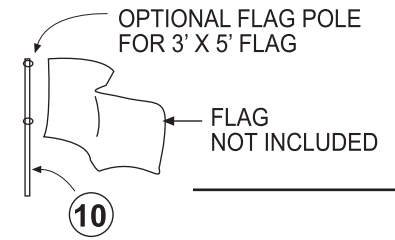
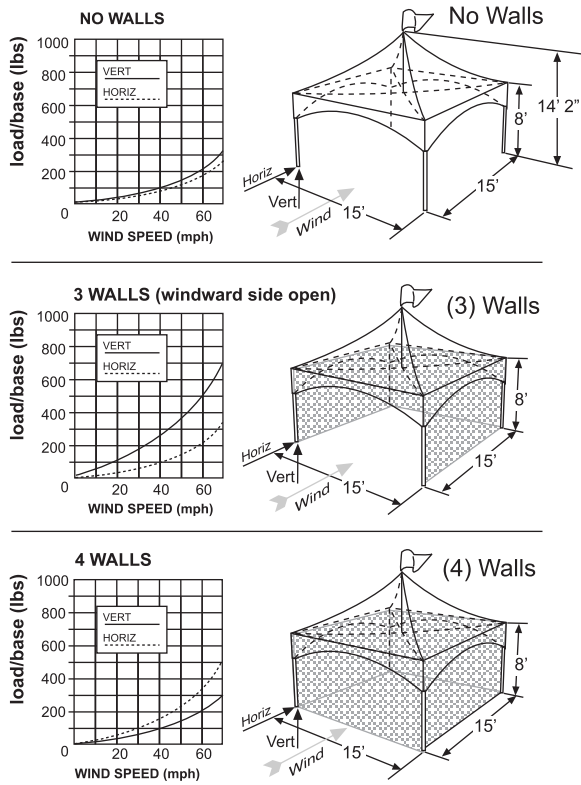


PEAK MARQUEE™ TENT MQ15

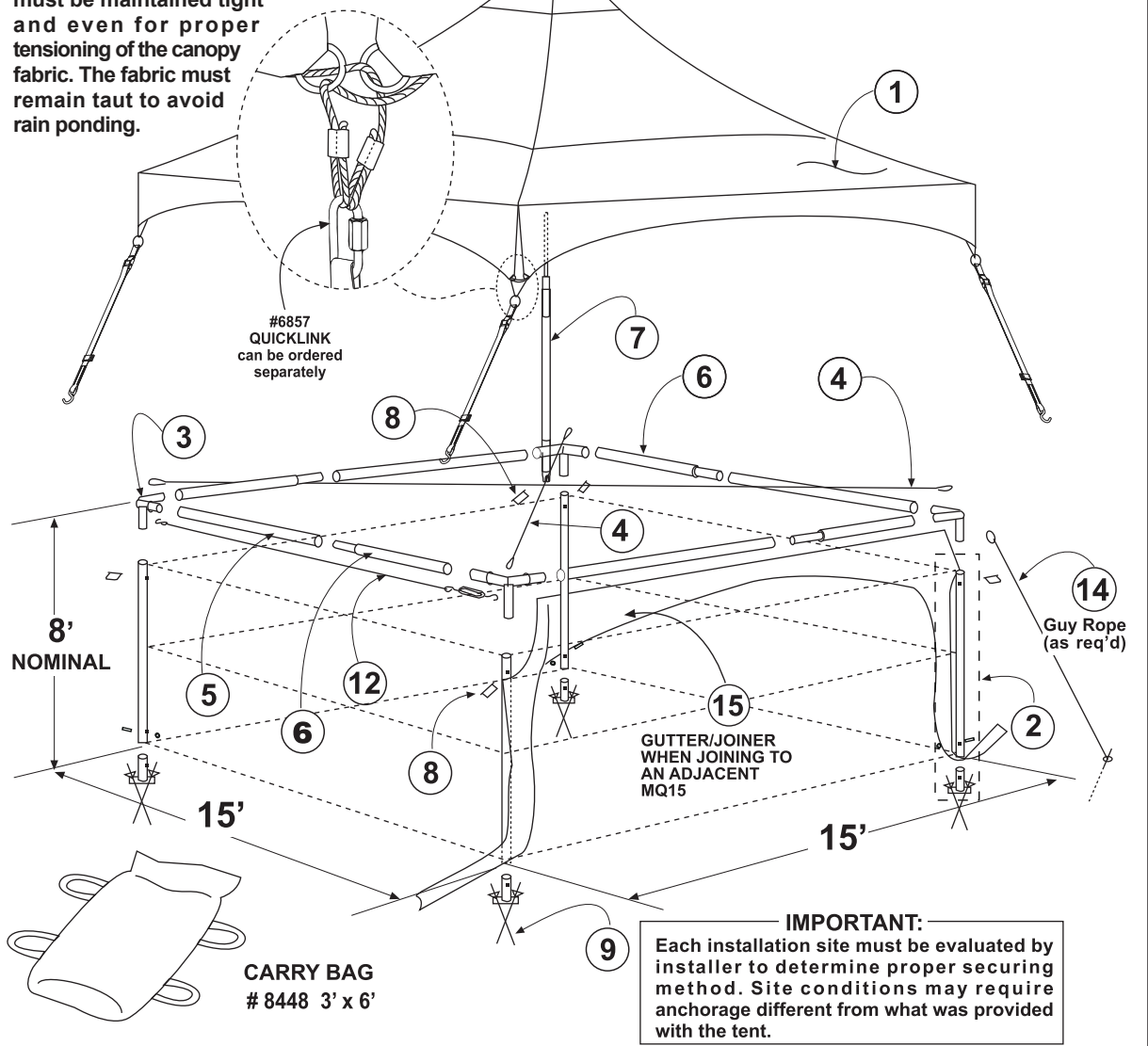
10608 Frame Assembly with Aluminum Tubes
10601 Frame Assembly with Steel Tubes



ANCHOR LOAD GUIDE



CAUTION: Tension straps must be maintained tight and even for proper tensioning of the canopy fabric. The fabric must remain taut to avoid rain ponding.

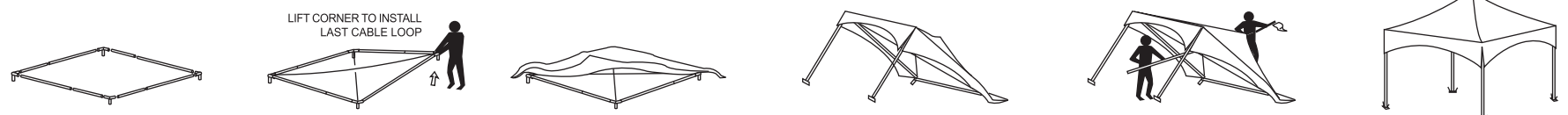


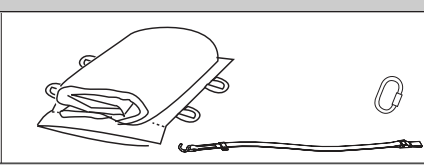
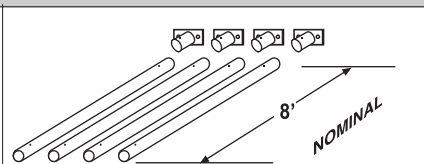


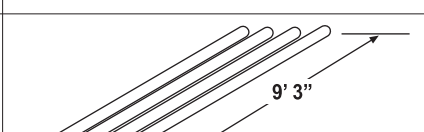
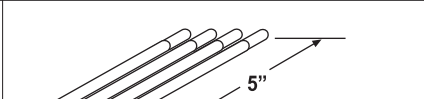
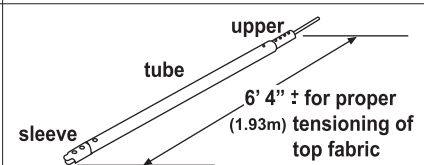
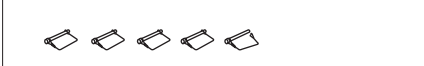
IMPORTANT: Each installation site must be evaluated by installer to determine proper securing method. Site conditions may require anchorage different from what was provided with the tent.

*WIND SPEED - is the wind directly on the tent. The wind speed reported through the media is usually measured 33' above ground at a local airport weather station. Wind load on your tent may be effected considerably by topography, trees, buildings, fences and other adjacent roughness.

To increase anchorage and stability, guy ropes are recommended. Much of the anchor loading may be transferred from the post base to the guy anchors.

Guy ropes should be used in high wind areas.



CANOPY		PART	PART NO.	QTY
1 TOP		Top	#10620	1
		Quicklink	#6857	4
		Tension Strap	#15050	4
FRAME				
2 POST ASSEMBLY		Base	#10514	4
		Post	alum #10591	4
		Post	steel #10590	4
		Bolts	#4093	4
		Nuts	#8369	4
3 CORNER 90°		Corner 90°	#10628	4
4 CABLE		Cross Cable	#9471	2
5 EVE TUBES		Eve Tube	alum #10630	4
		Eve Tube	steel #7161	
6 EVE TUBES SHORT		Eve Tube Short	alum #10511	4
		Eve Tube Short	steel #8444	
7 CENTREPOLE ASSEMBLY		Centre pole	alum #10963	1
		Centre pole	steel #10595	
8 LOCKPIN		Lock Pin	#7843	5

OPTIONS		PART NO.	QTY
9	STAKE 3/4" x 34"	#10666	8
10	FLAG POLE EXT.	#9523	1
11	DROP SHEET 15' x 15'	#10585	1
12	CABLE: 15' SLIDE WALL	#10674	4
13	BASE: MQ ADJ 24"	#11064	4
14	GUY ROPE 15' (5m)	#10689	AS REQ'D
15	GUTTER/JOINER 15' NOMINAL	#11005	AS REQ'D
16	EVE TUBE 14'3"	#11398	4
REPAIR KIT for Vinyl Tops		#6844	-

Please call on our 800 line with any questions or concerns:

Toll-free: **1-800-661-6155**
Phone: **(403) 279-7662**
Fax: **(403) 236-2633**
Web: **www.wssl.com**
Email: **warnar@wssl.com**

WSSL
STRUCTURES & TENTS

9811 - 44th St, SE, Calgary, Alberta, Canada T2C 2P7