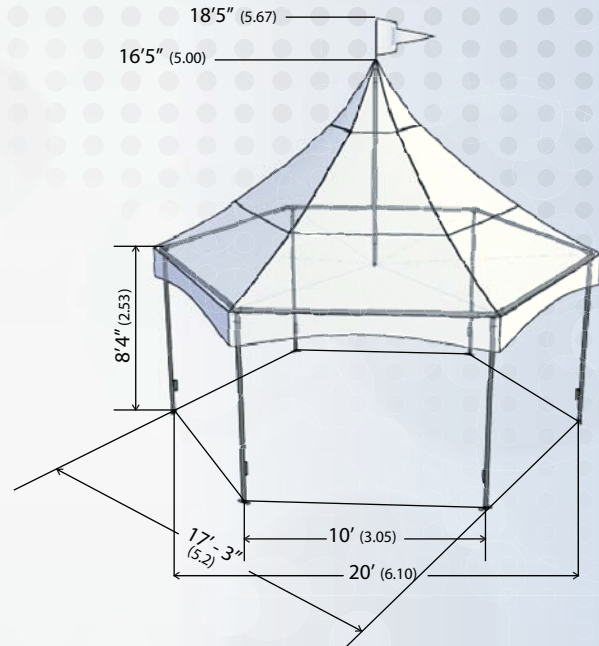




Tents for your Events

PEAK MARQUEE TENTS

MQ17HEX

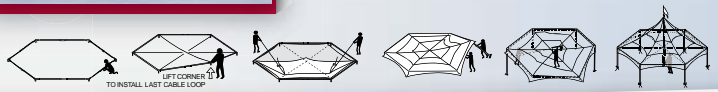


TOTAL AREA: 256.2 sq. ft. / 23.8 sq. m.



EASY ASSEMBLY AND SETUP

The *Peak Marquee* Tents require very little manpower to setup or take down. Comprehensive, easy to follow instructions are sent with each tent.





PEAK MARQUEE MQ17HEX

**PEAK MARQUEE TENT
FEATURES**

EASY SETUP

This tent can be set up easily by 2 people.

TOUGH

Smooth graceful roof lines conceal a rental tough, durable, simple frame.

INTERCHANGEABLE PARTS

Through nine sizes from 100 to 1043 sq.ft. streamlining rental inventory.

FULL MODULARITY

Unique gutter system allows the tents to be joined in a variety of configurations.

POLE FREE INTERIOR

Flying Centre Pole gives an obstruction free spacious interior.

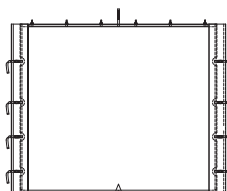
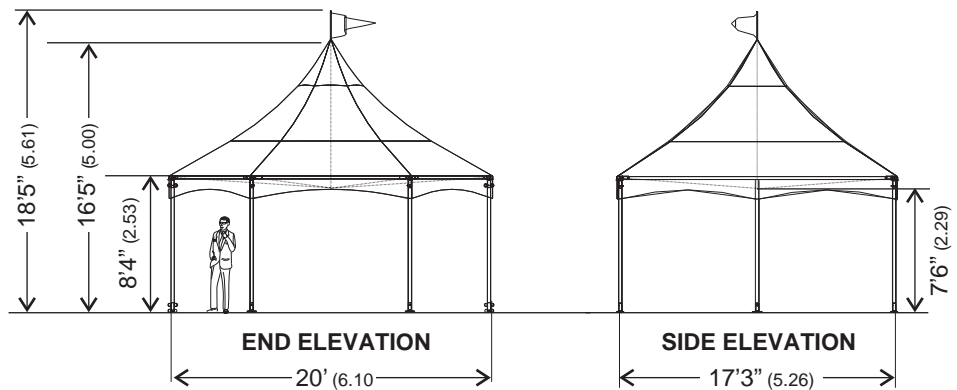
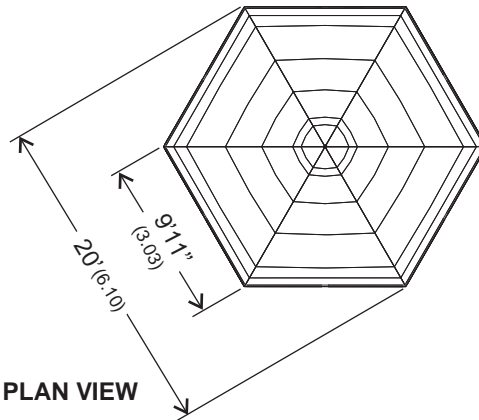
WALLS SLIDE OPEN AND CLOSED

Walls remain clean, with less wear and tear.

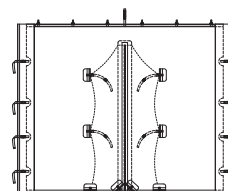
**The WSSL
PEAK MARQUEE TENTS**

*Elegant,
Dramatic,
Beautiful,*

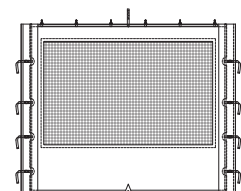
STRONG & STABLE



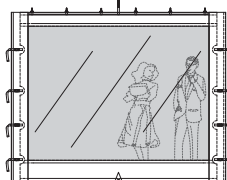
Wall; Plain
BATON 1098
STANDARD 110074



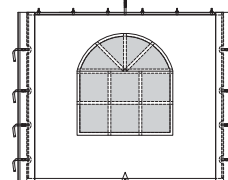
Wall; Plain with Zip door
BATON 12269



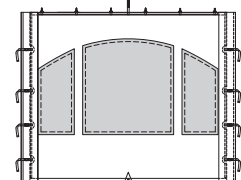
Wall; Mesh
BATON 10987
STANDARD 11011



Wall; Clear Vinyl
BATON 10991
STANDARD 11015



Wall; French Window
BATON 10995
STANDARD 11019



Wall; Bay Window
BATON 10958
STANDARD 11023



Designed & Engineered in 1984 by Kurt Warner P.Eng.



CABLE; sliding wall
10': 10675



GUTTER with downspout
10': 10960