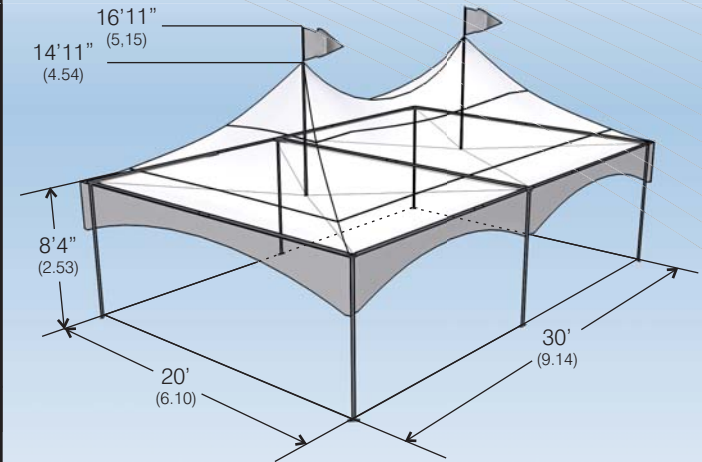


Tents for your Events

PEAK MARQUEE TENTS

MQ2030T



TOTAL AREA: 600 sq. ft. / 55.7 sq. m.

EASY ASSEMBLY AND SETUP

The Peak Marquee Tents require very little manpower to setup or take down. Comprehensive, easy to follow instructions are sent with each tent.





PEAK MARQUEE TENT FEATURES

EASY SETUP

This tent can be set up easily by 2 people.

TOUGH

Smooth graceful roof lines conceal a rental tough, durable, simple frame.

INTERCHANGEABLE PARTS

Through nine sizes from 100 to 1043 sq.ft. streamlining rental inventory.

FULL MODULARITY

Unique gutter system allows the tents to be joined in a variety of configurations.

POLE FREE INTERIOR

Flying Centre Pole gives an obstruction free spacious interior.

WALLS SLIDE OPEN AND CLOSED

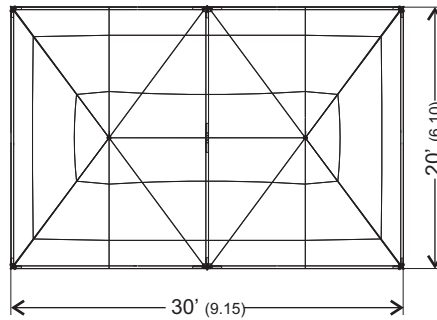
Walls remain clean, with less wear and tear.

The WSSL PEAK MARQUEE TENTS

Elegant, Dramatic, Beautiful,

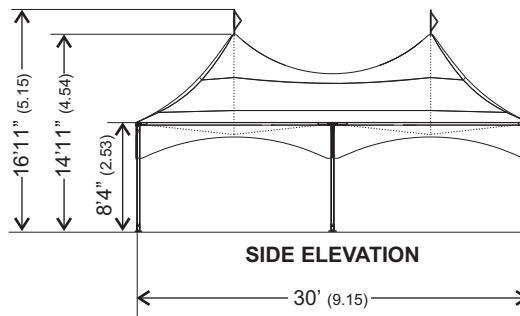
STRONG & STABLE

Scan the QR code with your smartphone

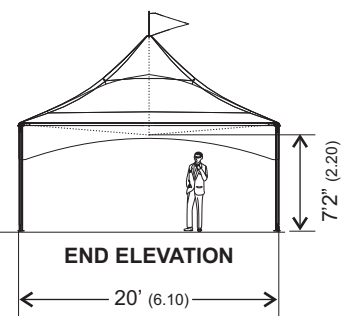


PLAN VIEW

MQ2030T

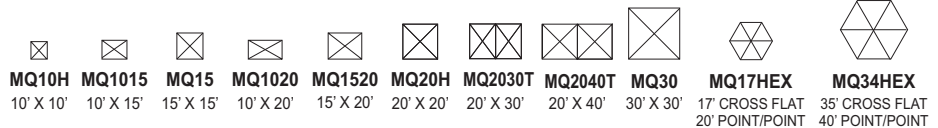


SIDE ELEVATION

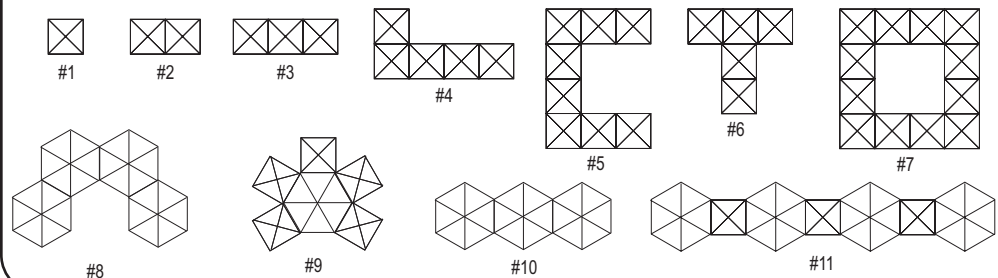


END ELEVATION

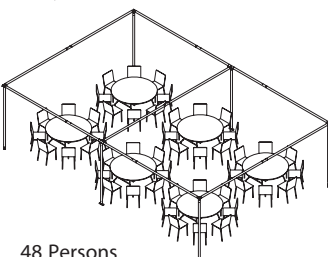
OTHER PEAK MARQUEE TENTS & LAYOUT SUGGESTIONS



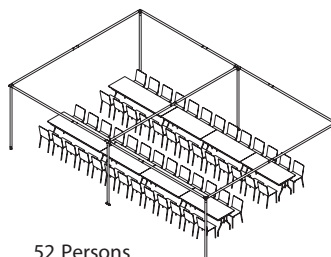
Peak Marquee tents can be joined together to form creative configurations, such as "L"-shapes, "U"-shapes, "T"-shapes or squares. Use your imagination.



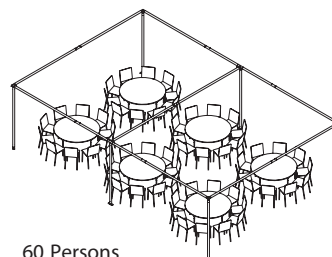
MQ2030T SEATING SUGGESTIONS



48 Persons
12.5 sqf per person



52 Persons
11.5 sqf per person



60 Persons
10 sqf per person



68 Persons
8.8 sqf per person