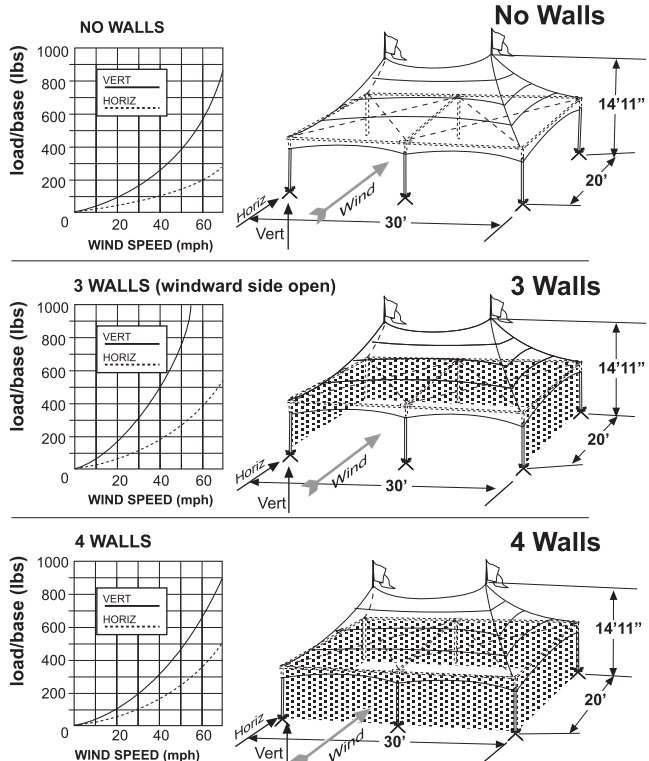


PEAK MARQUEE™ TENT

MQ2030T TWIN PEAK

12252 Frame Assembly with Aluminum Tubes
12264 Frame Assembly with Steel Tubes

ANCHOR LOAD GUIDE

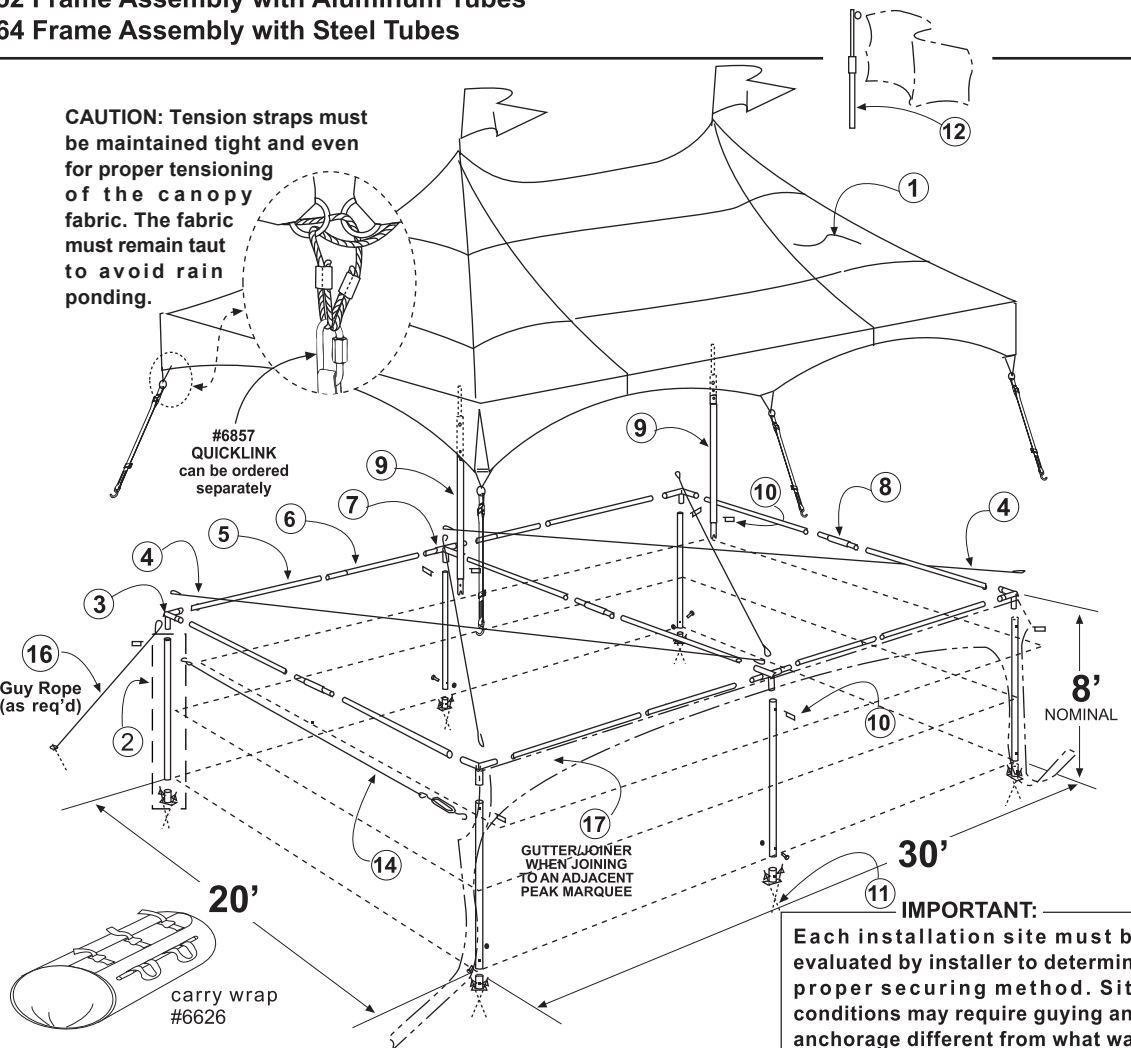


*WIND SPEED - is the wind directly on the tent. The wind speed reported through the media is usually measured 33' above ground at a local airport weather station. Wind load on your tent may be effected considerably by topography, trees, buildings, fences and other adjacent roughness.

To increase anchorage, tent strength and stability, guy ropes are recommended. Much of the anchor loading may be transferred from the post base to the guy anchors. Guy ropes should be used in high wind areas.



CAUTION: Tension straps must be maintained tight and even for proper tensioning of the canopy fabric. The fabric must remain taut to avoid rain ponding.



IMPORTANT: Each installation site must be evaluated by installer to determine proper securing method. Site conditions may require guying and anchorage different from what was provided with the tent.

CANOPY

	PART	PART NO.	QTY
1 TOP	Top	#12253	1
	Quicklink	#6857	6
	Tension Strap	#15050	6

FRAME

	PART	PART NO.	QTY
2 POST ASSEMBLY	Base	#10514	6
	Post Alum	#10591	6
	Post Steel	#10590	6
	Bolts	#4093	6
3 CORNER 90°		#10628	4
	Nuts	#8369	6
4 CABLE 15x20		#11818	4
5 9'-3" EVE TUBES	Alum	#10630	10
	Steel	#7161	
6 5'-0" EVE TUBES	Alum	#10511	4
	Steel	#8444	
7 T-PLUS	Steel	#9465	2
8 MID JOINT	Alum	#10667	3
	Steel	#7284	
9 CENTREPOLE ASSEMBLY		#10978	2
10 LOCKPIN		#7843	8

OPTIONS

	PART NO.	QTY
11 STAKE 3/4" x 34"	#10666	18
12 FLAG POLE EXT.	#9523	1
13 DROP SHEET 20' x 30'	#10580	1
14 CABLE: 20' / 30' SLIDE WALL	(20') #10673	AS REQ'D
	(30') #11004	
15 BASE: ADJ. 24"	#11064	6
16 GUY ROPE 15' (5m)	#10689	6
17 GUTTER/JOINER	(20') #10959	AS REQ'D
	(30') #11006	
REPAIR KIT for Vinyl Tops	#6844	-

Please call on our 800 line with any questions or concerns:



Toll-free: 1-800-661-6155
Phone: (403) 279-7662
Fax: (403) 236-2633
Web: www.wssl.com
Email: warner@wssl.com

9811 - 44th St. SE, Calgary, Alberta, Canada T2C 2P7