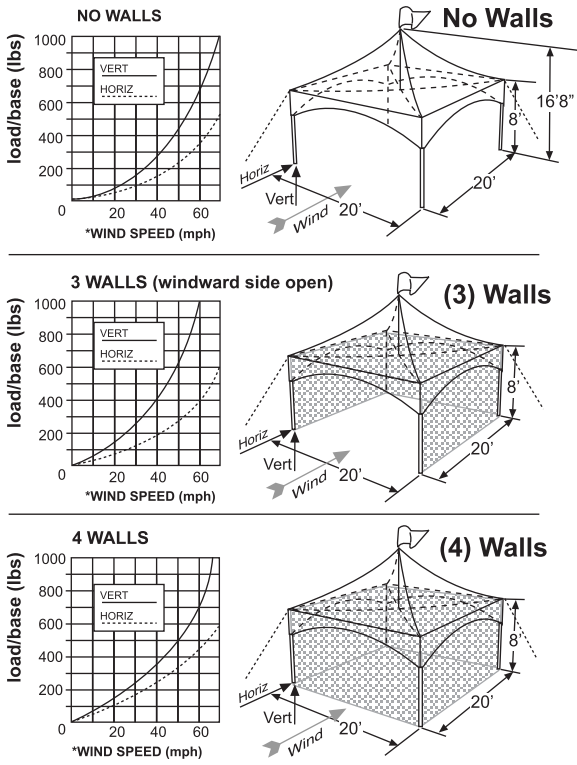


# PEAK MARQUEE™ TENT MQ20H

# 11033 Frame Assembly with Aluminum Tubes  
# 11037 Frame Assembly with Steel Tubes

## ANCHOR LOAD GUIDE

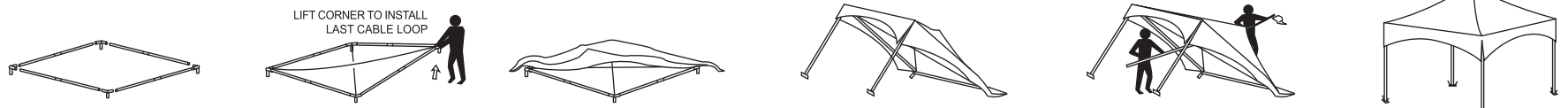
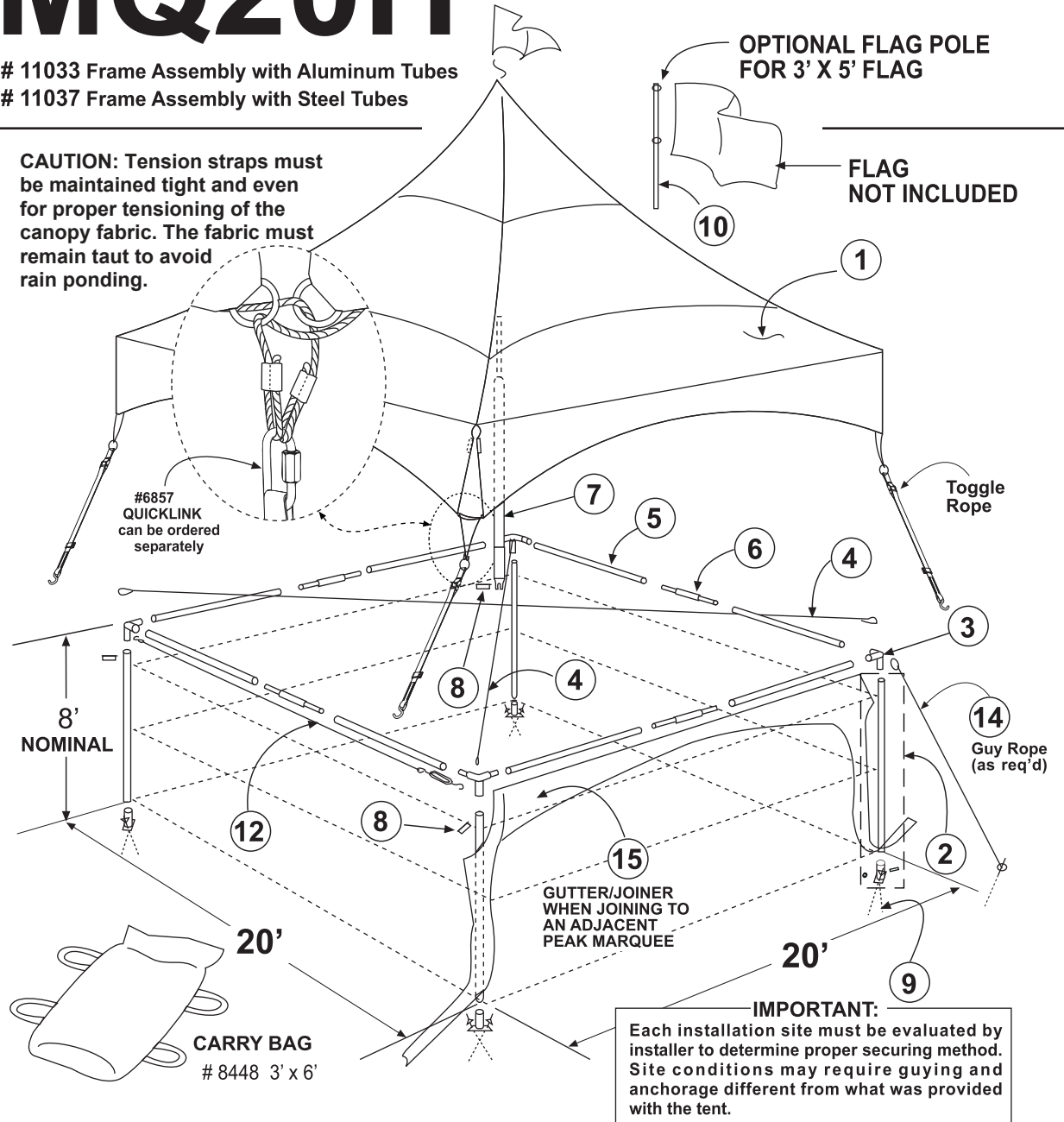


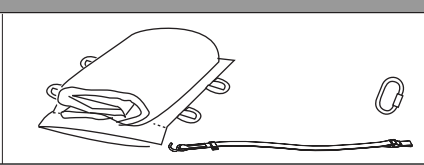
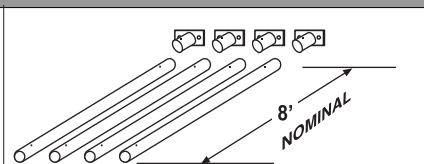
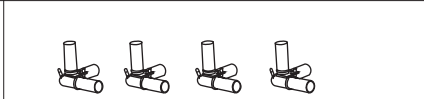

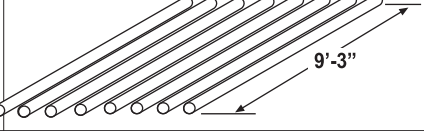
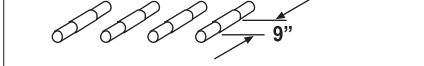
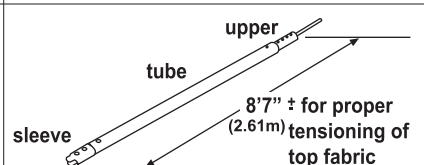
\*WIND SPEED - is the wind directly on the tent. The wind speed reported through the media is usually measured 33' above ground at a local airport weather station. Wind load on your tent may be effected considerably by topography, trees, buildings, fences and other adjacent roughness.

To increase anchorage and stability, guy ropes are recommended. Much of the anchor loading may be transferred from the post base to the guy anchors.

Guy ropes should be used in high wind areas.

**CAUTION:** Tension straps must be maintained tight and even for proper tensioning of the canopy fabric. The fabric must remain taut to avoid rain ponding.



CANOPY		PART	PART NO.	QTY
1 TOP		Top	#10977	1
		Quicklink	#6857	4
		Tension Strap	#15050	4
FRAME				
2 POST ASSEMBLY		Base	#10514	4
		Tube	alum #10591 steel #10590	4
		Bolts	#4093	4
		Nuts	#8369	4
3 CORNER 90°		Corner 90°	#10628	4
4 CABLE		Cross Cable	#7295	2
5 EVE TUBES		Eve Tube	alum #10630 steel #7161	8
		Midjoint	alum #10667 steel #7284	4
6 MIDJOINT		Midjoint	alum #10667 steel #7284	4
7 CENTREPOLE ASSEMBLY		Centrepole	alum #10978 steel #11544	1
		Lock Pin	#7843	5

OPTIONS		PART NO.	QTY
9	STAKE 3/4" X 34"	#10666	8
10	FLAG POLE EXT.	#9523	1
11	DROP SHEET 20' x 20'	#2100	1
12	CABLE: 20' SLIDE WALL	#10673	4
13	BASE: ADJ. 24"	#11064	4
14	GUY ROPE 15' (5m)	#10689	AS REQ'D
15	GUTTER/JOINER 20' NOMINAL	#10959	AS REQ'D
REPAIR KIT for Vinyl Tops		#6844	-

Please call on our 800 line with any questions or concerns:

Toll-free: **1-800-661-6155**  
Phone: (403) 279-7662  
Fax: (403) 236-2633  
Web: [www.wssl.com](http://www.wssl.com)  
Email: [warner@wssl.com](mailto:warner@wssl.com)

9811 - 44th St, SE, Calgary, Alberta, Canada T2C 2P7