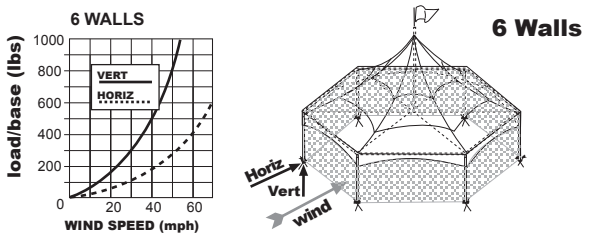
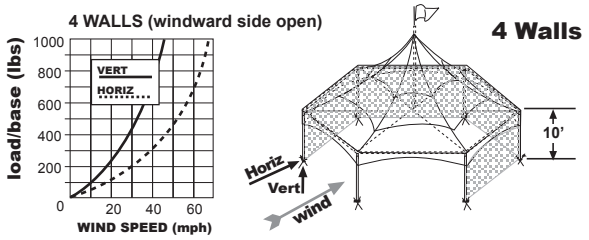
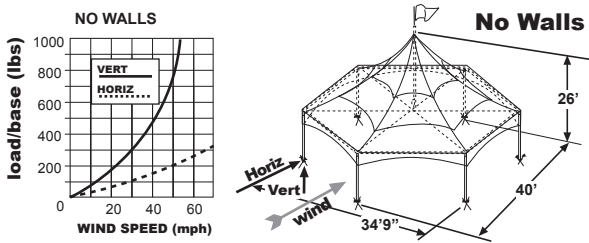


# PEAK MARQUEE™ TENT MQ34HEX

# 10564 Frame Assembly with Steel Tubes

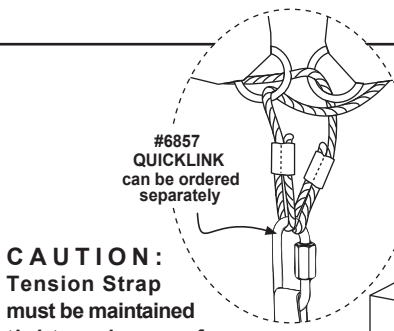
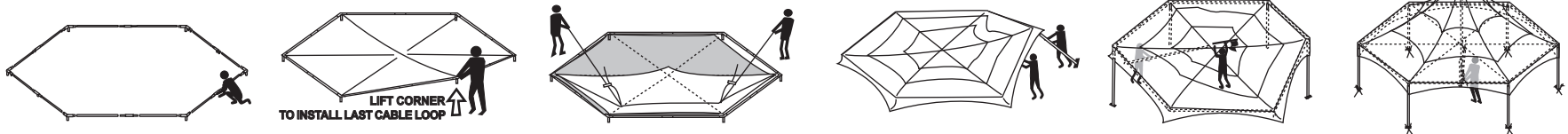
## ANCHOR LOAD GUIDE



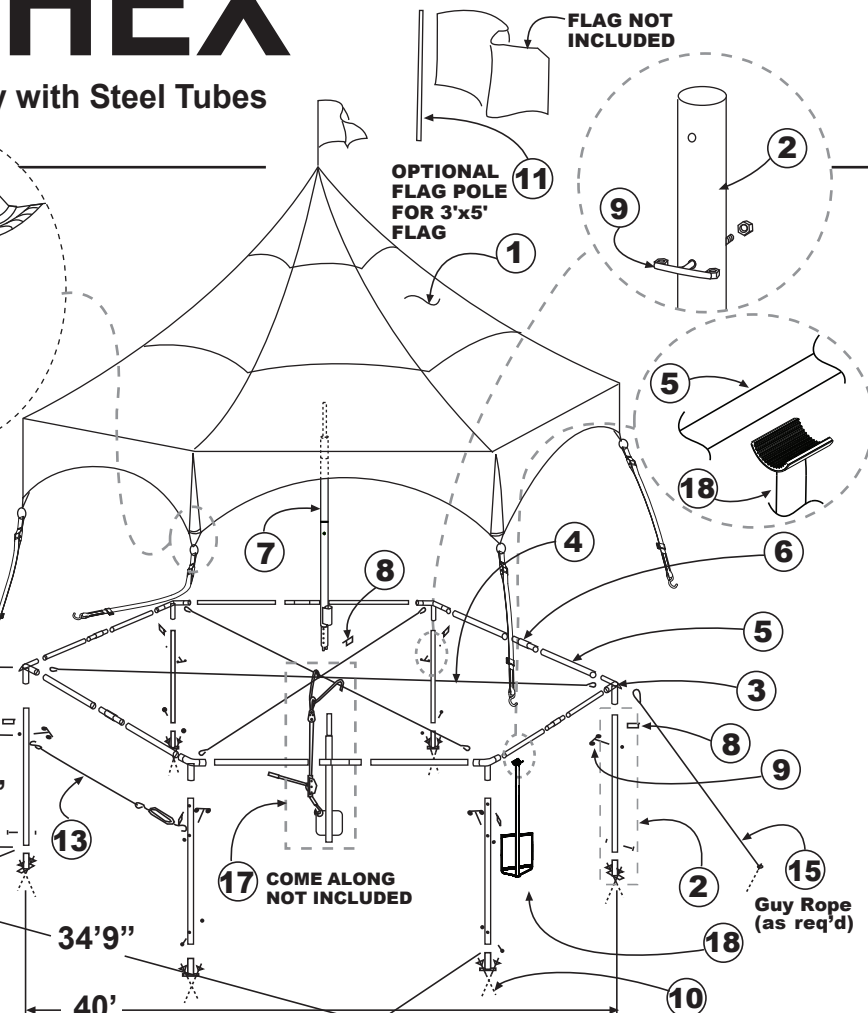
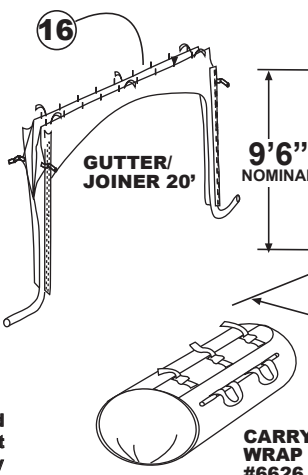
\*WIND SPEED - is the wind directly on the tent. The wind speed reported through the media is usually measured 33' above ground at a local airport weather station. Wind load on your tent may be effected considerably by topography, trees, buildings, fences and other adjacent roughness.

To increase anchorage and stability, guy ropes are recommended. Much of the anchor loading may be transferred from the post base to the guy anchors.

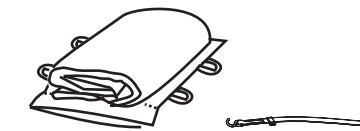
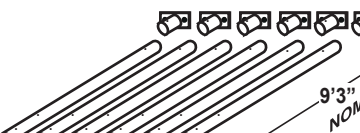


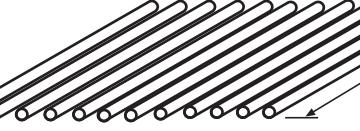

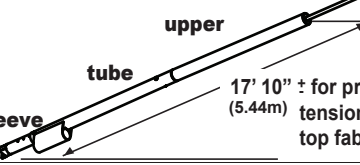
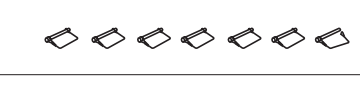

Guy ropes should be used in high wind areas.


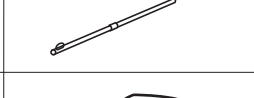


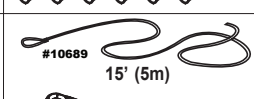

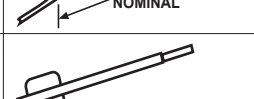
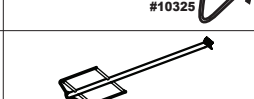




**CAUTION:** Tension Strap must be maintained tight and even for proper tensioning of the canopy fabric. The fabric must remain taut to avoid rain ponding.



**IMPORTANT:** Each installation site must be evaluated by installer to determine proper securing method. Site conditions may require guying and anchorage different from what was provided with the tent.

CANOPY		PART	PART NO.	QTY
① TOP		Top	#10625	1
		Quicklink	#6857	6
		Tension Strap	#15050	6
FRAME				
② POST ASSEMBLY		Base	#10514	6
		Steel Post	#10592	6
		Bolts	#4093	6
		Nuts	#8369	6
③ CORNER 120°		Corner 120°	#10627	6
④ CABLE		Cross Cable	#7340	3
⑤ EVE TUBES		Steel Eve Tube	#7161	12
⑥ MIDJOINT		Steel Midjoint	#7284	6
⑦ CENTREPOLE ASSEMBLY		Centre pole	#10521	1
⑧ LOCKPIN		Lock Pin	#7843	7
⑨ BRACKET		Bracket	#10655	6

OPTIONS		PART NO.	QTY
⑩ STAKE 3/4" x 34"		#10666	18
⑪ FLAG POLE EXT.		#9523	1
⑫ DROP SHEET		#10634	1
⑬ CABLE: 20' SLIDE WALL		#10673	AS REQ'D
⑭ BASE: ADJ. 24"		#11064	6
⑮ GUY ROPE		#10689 15' (5m)	AS REQ'D
		#4041	
⑯ GUTTER/JOINER		#10959	AS REQ'D
⑰ CENTREPOLE TOOL/CABLE		#10324	1
		#10325	1
⑱ LIFT EASY		#11065	1
REPAIR KIT for Vinyl Tops		#6844	-

Please call on our 800 line with any questions or concerns:



Toll-free: 1-800-661-6155  
Phone: (403) 279-7662  
Fax: (403) 236-2633  
Web: www.wssl.com  
Email: warner@wssl.com

9811 - 44th st. SE, Calgary alberta, Canada T2C 2P7