



Peak PoleTM Tents

Elegant, Dramatic, Beautiful

STRONG and STABLE

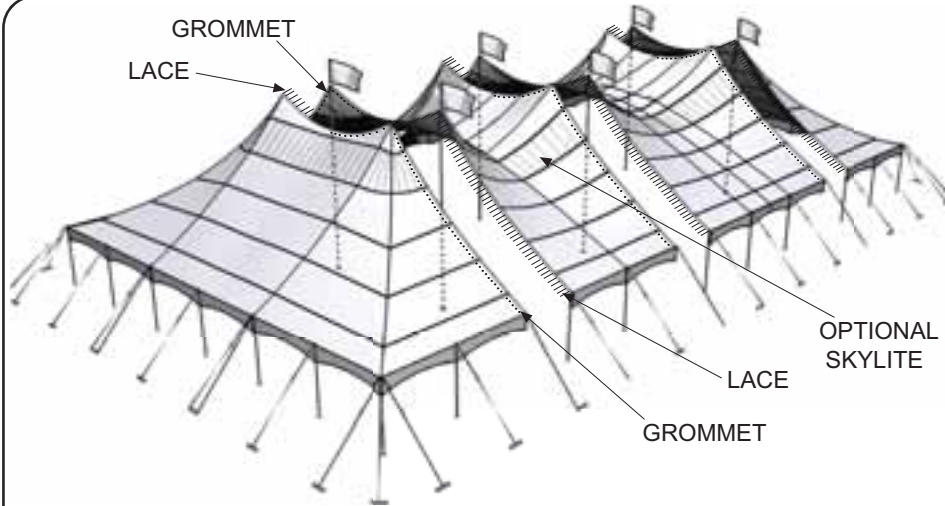


Warner Shelter Systems Limited
Tents and Fabric-Clad Structures

9811 - 44th Street, SE, Calgary, Alberta, Canada T2C 2P7
Phone: (403) 279-7662 or (800) 661-6155; Fax: (403) 236-2633
Website: www.wssl.com • E-mail: warner@wssl.com



Peak POLE Tent Parts



- FABRIC
OPAQUE with SKYLITE
16 - 18 oz. vinyl polyester fire retardant
▶ OPAQUE for summer comfort
▶ SKYLITE for natural lighting
- LACELINES DOUBLE BRAID POLYESTER GROMMET/LACING ON EACH SEAM for easy layout and laceup
- COMPUTER DESIGNED SMOOTH CURVES for elegance and pretensioned stability

CENTREPOLES

11102

3 pc assembly

11770

BASE

10729

TUBE 20'

10745

UPPER

10782

FLAGPOLE

11170

5 pc assembly

11770

BASE

11165

LOWER 6'

11166

MID 6'

11165

UPPER 6'

10745

UPPER

10782

FLAGPOLE

11551

30' assembly

11770

BASE

11719

LOWER CAPTURE

11725
SPREADER

12617
UPPER CAPTURE

11726
CABLE ASSY

12616

UPPER

10782

FLAGPOLE

SIDE POLES

10884

ALUM 2.5"X8'

10514

BASE

11765

TUBE

10237

CROWN AND NUT

- Side Poles are interchangeable with Peak Marquee tents

11764

ALUM 2.5"X10'

10514

BASE

10591

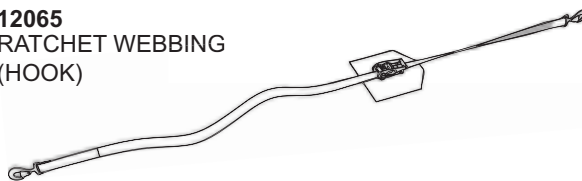
TUBE

10237

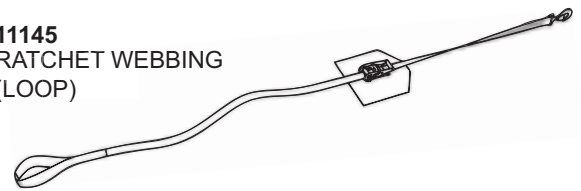
CROWN AND NUT

GUYING

12065
RATCHET WEBBING
(HOOK)



11145
RATCHET WEBBING
(LOOP)



ANCHORAGE

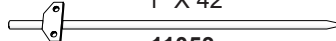
12239
STAKE BAR



STAKES

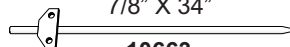
1" X 42"

11053



7/8" X 34"

10663

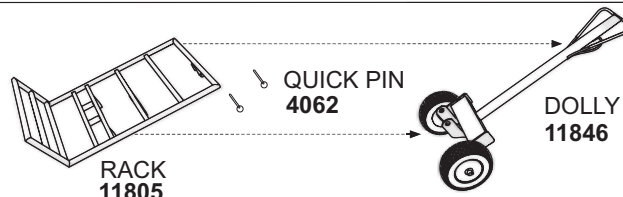


IMPORTANT:

EACH INSTALLATION SITE MUST BE EVALUATED AND THE PROPER SECURING METHOD DETERMINED BY THE INSTALLER. SITE CONDITIONS MAY REQUIRE ANCHORAGE DIFFERENT FROM WHAT IS SUGGESTED HERE.

DOLLY with RACK

11103



11805
RACK

4062
QUICK PIN

11846
DOLLY

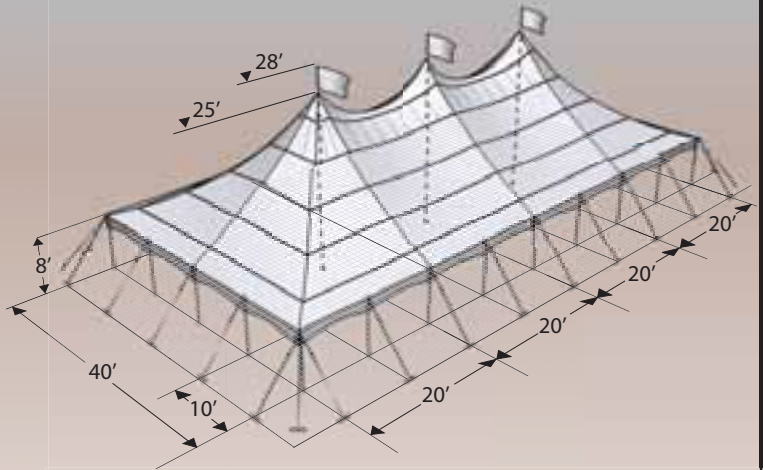
RACK ATTACHES TO DOLLY FOR EASY SITE HANDLING OF FABRIC BUNDLES AND POLES

Tents for your Events

PEAK POLE TENT

PPT40X

Elegant, Dramatic, Beautiful
STRONG and STABLE



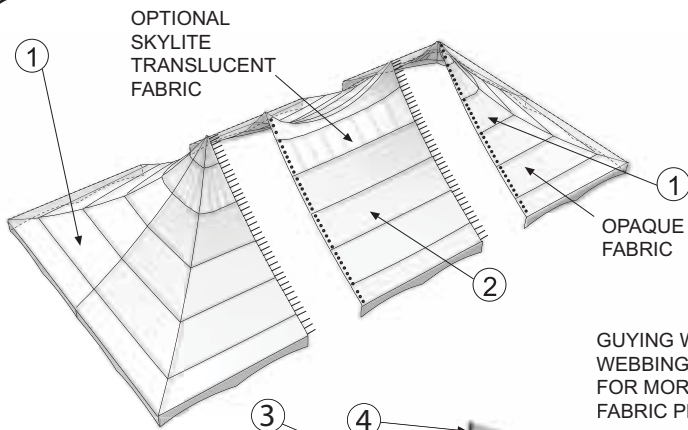
A great solution for large functions of all types, combining the nostalgic appeal of old-fashioned circus big tops with the advantages of modern technology. Peak Pole Tents may be joined with Peak Marquees using interchangeable side poles, gutters, and walls. Length can be varied by adding or removing mid sections.

Models available include the 30x, 60x, 80x, and 90x.



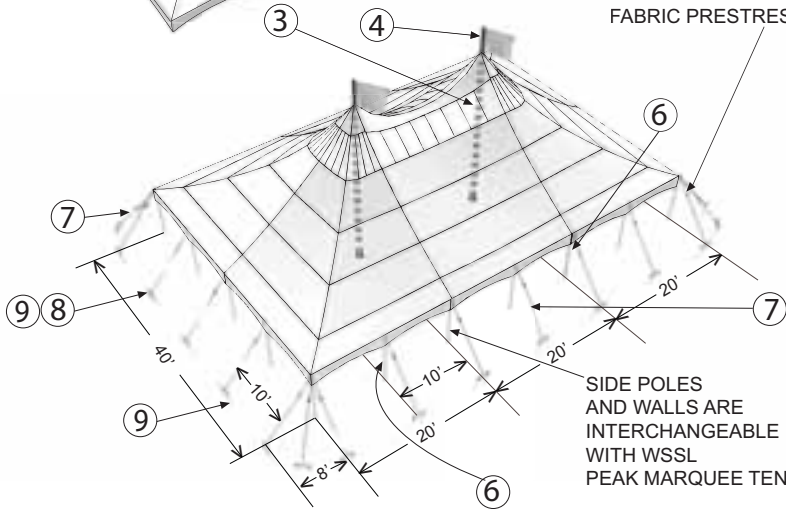
MODEL PPT40X

PEAK POLE TENT

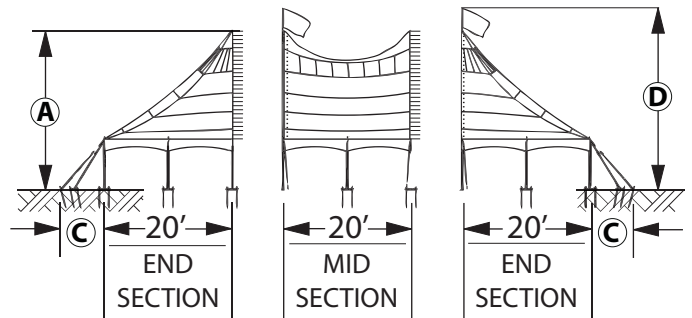
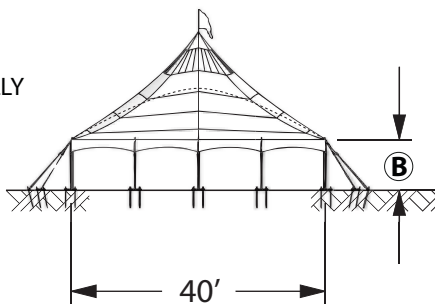
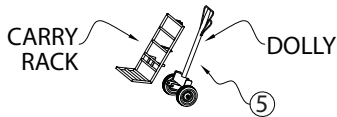
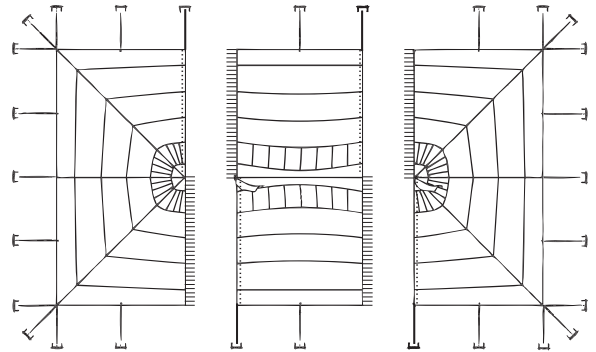


GUYING WITH WEBBING AND RATCHETS FOR MORE ACCURATE FABRIC PRESTRESS

	A	B	C	D
8' SIDEPOLE	25'	8'	6'-7'	28'
10' SIDEPOLE	27'	10'	8'-9'	30'



SIDE POLES AND WALLS ARE INTERCHANGEABLE WITH WSSL PEAK MARQUEE TENT



			ASSEMBLY #	20016	20018	20019	20006	20017
PART	PART #	WEIGHT lb (kg)	40X40	40X60	40X80	40X100		ADD'L 20' MID
① TOP END 40'X20'	11076	184.3 (86.6)	2	2	2	2		-
② TOP MID 40'X20'	11077	198.8 (90.2)	-	1	2	3		1
③ CENTERPOLE	3 PIECE ASSEMBLY	11102	105 (47.8)	1	2	3	4	1
	5 PIECE ASSEMBLY	11170	119 (54)					
④ FLAGPOLE	10782	2.8 (1.3)	1	2	3	4		1
⑤ DOLLY, CENTERPOLE	11103	78 (35.5)	1	1	1	1		-
⑥ SIDE POLE	ALUM 2.5"X 8'	10884	11 (5.0)	16	20	24	28	4
	ALUM 2.5"X10'	11764	12 (5.6)					
⑦ GUYING	RATCHET WEBBING (HOOK)	12065	5 (2.3)	24	28	32	36	4
	RATCHET WEBBING (LOOP)	11145						
⑧ STAKEBAR	ANGLE	12239	7.2 (3.3)	24	28	32	36	4
⑨ STAKES	1"X42" TRIBAR	11053	10.3 (4.7)	48	56	64	72	8
			WEIGHT lb (kg)	1545.4 (701)	2043.7 (927)	2542 (1153)	3042.3 (1380)	398.2 (226)

Since 1970 the excitement was INTENSE



Toll-free 1-800-661-6155

www.wssl.com

warner@wssl.com



1976 Montreal Summer Olympics



Peak Pole Tent 90' X 360'

*Tents for all Reasons...
Tents for all Seasons.*



CEMEX 100th Anniversary Events 2006 Mexico



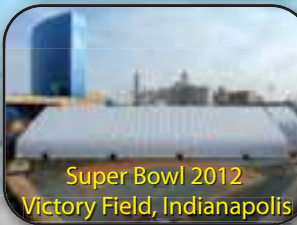
Arabesque Stagecovers 56



Tent - C - Can, Fort McMurray



The Roundhouse Theatre, Toronto



Super Bowl 2012 Victory Field, Indianapolis

1971 — **Hurritent**
(Telephone & construction)

1973 — **Armadillo**
(Pulp and paper industry)

1976 — **C-Series Dome Tent**
(Montreal Olympics)

1977 — **Arabesque Tents**
(Stagecovers & theatres)

1980 — **Hypup Tent**
(For German telepost)

1983 — **Centipede Tent**

1984 — **Marquee and Arabesque**
(Tents for hajj in Saudi Arabia)

1985 — **Hex Marquee Tents**
(For Niagara falls festival)

1988 Calgary Winter Olympics 1988 — **WSSL ClearMod Series**
Structures & special teepee (150' High)

1991 — **WSSL ClearMod Series**
(For 50,000sqft. factory on 10 acres)

1992 — **WSSL ClearMod Series**
(Insulated for dinosaur museum)

1994 — **WSSL Peak Pole Tent**

1998 — **Hex Marquee Tents**
(For Yukon quest dogsled races)

2000 — **WSSL ClearMod Series**
(For Korea supermarket)

2002 — **WSSL ClearMod Series**
(Corporate and security)

2004 — **WSSL Giga - Span**
(Series 43, 160'x330')

2006 — **Arabesque S-56 Array**
(Monterrey, Mexico)

2007 — **WSSL Giga - Span**
(Series 43, 160'x285')

2008 — **WSSL ClearMod Series**
(Series 37, 127'x400')

2009 — **WSSL Tent - C - Can**
(Over surplus sea containers)

2010 — **WSSL Tent - X - Span**
(For events needing clearspan)

2011 — **WSSL ClearMod Series**
(130'x225')

2012 — **WSSL Giga - Span**
(Series 43, 160'x330' & 80'x40')

The excitement is still in TENTS

Series 37, 127'x400'